

VC7000 / VC7000A / VC8000

From contemporary to classic design, Amperes offers choices for the installation needs. The variants are in three different designs and available in various ratings, ranging from 5 watts to 150 watts 100V line.

They are suitable for 4 wire system installation with built in emergency overriding relay and overriding LED indicator.

FEATURES

Suitable for 4 wire system : 2 for 100V line , 2 for 24V DC overriding signal
2 plate mounting for better looks

Built in overriding relay to allow emergency signal to bypass volume attenuation

Overriding LED indicator whenever EM paging is activated

5 preset attenuation with OFF

Large cable terminal block for ease of termination

NOTE :

Wall concealed installation shall require back enclosure with depth of min 50 mm from finishing surface for models with auto transformer. Normal electrical back enclosure shall suffice for installation using resistive volume controllers. ie. VC7005 / 7010/8010

VOLUME CONTROLLERS



VARIANTS

VC7000 SERIES (86 X 86 MM) :

VC7805 : 5W 8 OHM Resistive
VC7005 : 5W 100V Line Resistive
VC7010 : 10W 100V Line Auto Trans
VC7030 : 30W 100V Line Auto Trans
VC7050 : 50W 100V Line Auto Trans
VC7100 : 100W 100V Line Auto Trans
VC7150 : 150W 100V Line Auto Trans

VC7000A SERIES (70 X 120 MM) :

VC7010A : 10W 100V Line Resistive
VC7030A : 30W 100V Line Auto Trans
VC7050A : 50W 100V Line Auto Trans
VC7100A : 100W 100V Line Auto Trans

VC8000 SERIES (86 X 86 MM) :

VC8010 : 10W 100V Line Resistive
VC8030 : 30W 100V Line Auto Trans
VC8050 : 50W 100V Line Auto Trans
VC8100 : 100W 100V Line Auto Trans

VC8000 series



VC7000 series

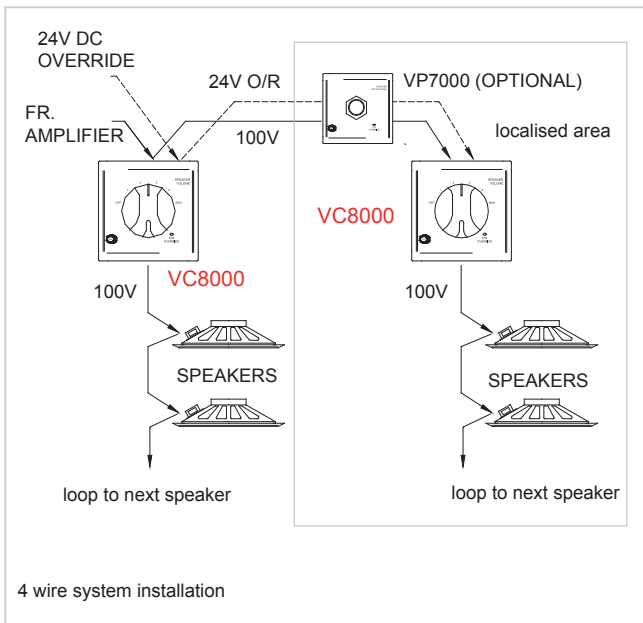


VC7000A series



For 70 x 120 faceplate series :
Vertical and Horizontal version
available

APPLICATION SCHEMATIC



TECHNICAL SPECIFICATIONS

Power rating	Refer to variants
Overriding voltage	24V DC
Overriding current	15 mA per channel
Attenuation	6 steps incl. OFF
Attenuation / step	6 dB / step
Attenuation method	VC7005 / 7010 / 8010 - Resistive Others - Auto transformer
Colour	White
Size (W x H x D)	VC7000 / 8000 - 86 x 86 x 40 mm VC7000A - 70 x 120 x 40 mm
Weight (kg)	VC7805 / 7005 / 7010 - 100 gms VC7010 / 7030 - 200 gms VC7100 / 7150 - 330 gms VC8010 - 200 gms VC8030 - 220 gms VC8050 - 235 gms VC8100 - 345 gms

Optional item :

Conceal enclosure	77 x 77 x 60 mm
Surface enclosure	85 x 85 x 60 mm

VOLUME CONTROLLER / PATCH

VP7501 : Local Speaker Patch Panel
VP7810 : 100V - 8 Ohm Speaker Patch Panel

LOCALISED SPEAKER PATCH PANEL



VP7501 shall be used to isolate a group of speakers (meeting room, etc) from central PA system to allow a separate PA amplifier to utilise those local speakers, but shall be overridden by main system in the event a 24V overriding signal is present.

VP7810 works similarly but the local speaker is 8 Ohm, ie. setup in hotel room speaker connected to TV audio output via a mini amplifier. In the event of emergency, it shall allow the incoming 100V line to take over and to match the speaker's impedance.



VP7501

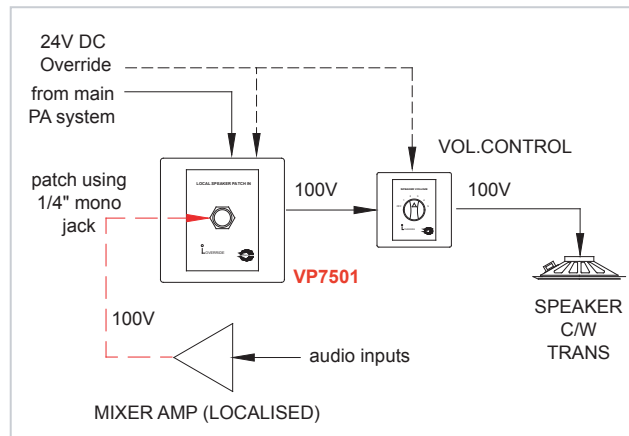
FEATURES

Suitable for 4 wire system : 2 x audio, 2 x 24V DC overriding
 Built in overriding relay for emergency bypass with LED indicator
 Also available with 70 x 120 mm front panel



VP7810

APPLICATION SCHEMATIC



VP7501 application schematic

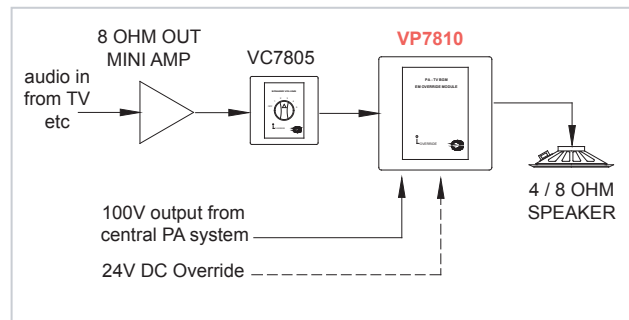
TECHNICAL SPECIFICATIONS

VP7501 / VP7810

Power rating	50W 100V line / 10W 8 Ohm
Overriding voltage	24V DC : 15 mA
Patch connection	VP7501 : 1/4" phone jack - front patch VP7810 : hardwired
Cablings	4 wire system (2 audio ; 2 overriding)
Size (front panel)	86 x 86 mm
	70 x 120 mm available upon request
Weight (excl. enclosure)	70 / 180 gms

Optional enclosure :

Concealed (WxHxD)	77 x 77 x 60 mm
Surface (WxHxD)	85 x 85 x 60 mm



VP7810 application schematic

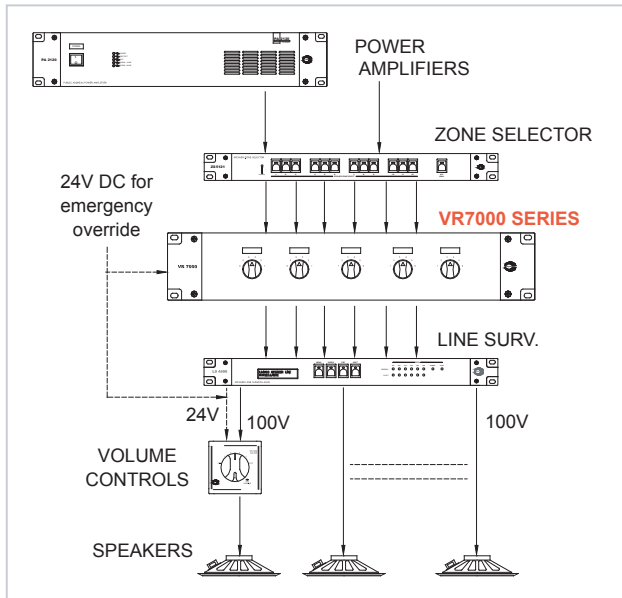
VOLUME CONTROLLER / PATCH



VARIANTS

- VR7605 - 6 Zone X 50W 100V Line**
- VR7610 - 6 Zone X 100W 100V Line**
- VR7615 - 6 Zone X 150W 100V Line**

APPLICATION SCHEMATIC



VR should be installed before LS4600 to avoid false fault detection due to variation of impedance whenever volume is adjusted.

VR series is available in three variants with 6 zones at each panel. It shall be mounted at rack to enable volume of each zone to be controlled or set at the control room.

FEATURES

- 6 zones with 50 / 100/ 150 W 100V line rating for each zone
- Customised zone rating option available
- Suitable for 4 wire system : 2 :100V audio & 2 :24V DC overriding
- Built in overriding relay for emergency volume bypass

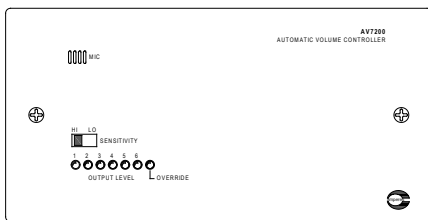
TECHNICAL SPECIFICATIONS

	VR7605 / VR7610 / VR7615
Power rating	50 / 100 / 150W 100V line / zone
Overriding voltage	24V DC
Overriding current	15 mA per channel
Attenuation	6 steps incl. OFF
Attenuation / step	6 dB / step
Attenuation method	Auto transformer
Size (W x H x D)	482 x 88 x 60 mm
Weight (kg)	3.4 / 4.5 / 4.8 kg

VOLUME CONTROLLER / PATCH

AV7200 : 100W 100V Line Auto Volume Controller

preliminary information



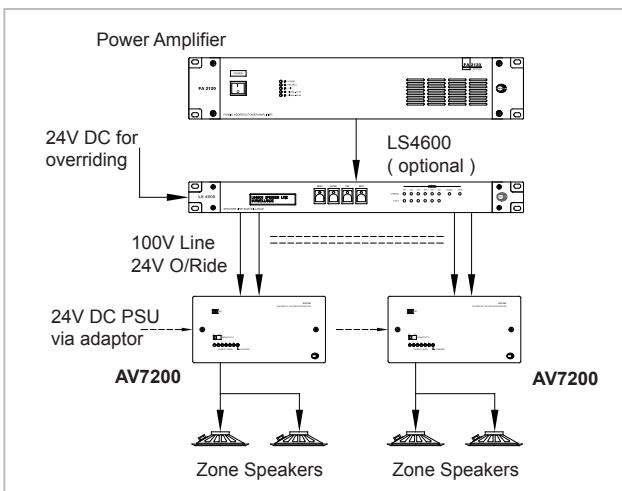
AUTO VOLUME CONTROLLER

There is always a need to regulate the speaker volume in areas which has significant variance of ambience noise level between different time in a day, such as in public area ie. bus station, airports, etc.

AV7200 controls the speaker volume automatically by reducing or increasing the 100V line output from amplifier to the localised area, which the unit shall be located. Unlike most AVC, AV7200 controls the 100V speaker line instead of audio signal prior to amplifier input.

This would enable the unit to be applied to existing system without having to run additional microphone cable to the main rack. It can be installed next to the existing volume controller at the particular area and powered by a 24V power adaptor. A significant cost saving shall be achieved with this method.

APPLICATION SCHEMATIC



FEATURES

- Installation at localised area (at existing volume controller) without additional cable re-run (easily retrofit to existing system)
- 100V speaker line control with 6 step attenuation
- Adjustable noise sensing sensitivity
- Built in overriding relay for emergency volume bypass

TECHNICAL SPECIFICATIONS

Power rating	100W 100V line
Operating voltage	24V DC : 40 mA
Attenuation	6 steps ; -6 dB per step
Emergency overriding	24V DC ; 0.15 A
Sensitivity adjustment	2 level
Size (front panel)	172 x 86 mm
Weight (excl. enclosure)	500 gms (est)