

# CM1400

Chime and Siren Tone Generator

CHIME UNIT

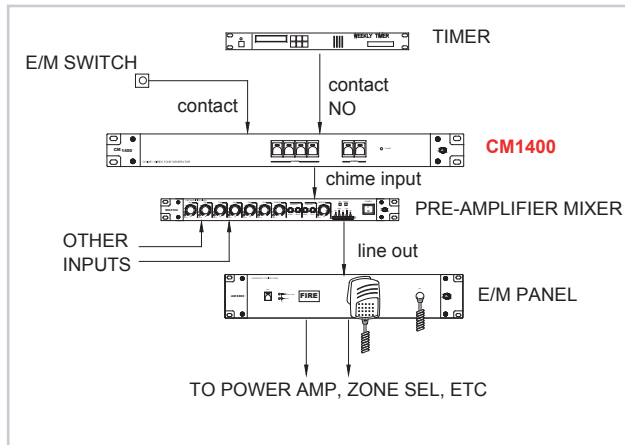


CM1400 offers 5 chimes and 2 siren tones with selectable balanced and unbalanced line output. Activation of chime shall be from front switches or via remote triggering terminal, enabling the unit to be linked to external sensors or triggering system such as alarm panel, remote mic or emergency switch. Siren has priority over chimes.

It is suitable for installation in schools, factories, hazardous areas etc.



## APPLICATION SCHEMATIC



rear view



## FEATURES

- 5 types of chimes and 2 siren
- Adjustable output volume
- Selectable output as balanced or unbalanced line
- Front panel switch activation or via remote trigger port

## TECHNICAL SPECIFICATIONS

Operating voltage	24V DC ; 0.5 A
Power consumption	0.3 A
Chime type	4 tone up, 4 tone down, 2 tone
	Ringing bell, Westminster
Siren type	Constant siren 8 KHz
	Wavy siren
External activation	Dry contact
Output	Line 1 V
Output impedance	10 K unbalanced
Gain	+4 dB max
Dimensions (WxHxD)	482 x 44 x 90 mm
Weight ( kg )	1.6 kg

## MICROPHONES

### TC122

Condenser Tie Clip Mic



10m cable length with 3.5mm lockable stereo jack

### GM8

Condenser Gooseneck Mic



### GM9

Condenser Gooseneck Mic



XLR Male base

### CB110

Handheld Mic



### PP915

Phantom Power Adaptor for TC122



	TC122	GM8	GM9	CB110
Capsule	Back electret condenser			Dynamic
Polar pattern	Uni directional			Omni
Frequency response	50 ~ 16 KHz			300 - 8 KHz
Sensitivity	-45 dB +/- 3 dB			-72 dB
Output impedance	600 Ohm	1 K Ohm		600 Ohm
Power supply	9 ~ 12V DC Phantom power supply			
Dimension ( mm )	7.8 dia x 25	400	495	55 x 85
Weight ( gm )	40	60	90	110

# EP1200

Emergency Paging Mic Panel

EMERGENCY PAGING PANEL



EP1200 is an essential paging tool for firemen during emergency, or when direct paging to all zone is required at the equipment rack. It shall allow direct access to the PA system which would bypass incoming BGM or other normal paging in progress.

Its built in siren tone generator can be triggered manually via the front panel switch or via external fire sensor or fire switch by providing a close contact to the connector at the back of the unit.

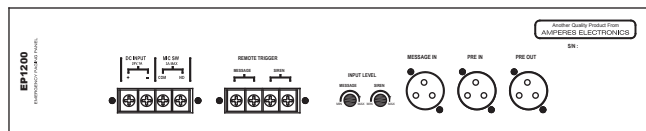
## TECHNICAL SPECIFICATIONS

Power requirement	24V DC
Power consumption	3.5 W

MICROPHONE	
Mic sensitivity	-72 dB Omni directional
Impedance	600 Ohm
Frequency response	300 ~ 8 KHz

SIREN	
Siren frequency	Continuous at 8 KHz
Siren duration	Continuous when activated
Siren activation	Front test switch / remote contact

Input channel	Pre-amplifier output, message recorder
Output level	Balanced line out ( 1.2 V )
Priority sequence	Paging mic - siren - message - pre amp in
Indicators	Front FIRE with backlight illumination
Dimensions (WxHxD)	482 x 88 x 80 mm
Weight ( kg )	2.9 kg

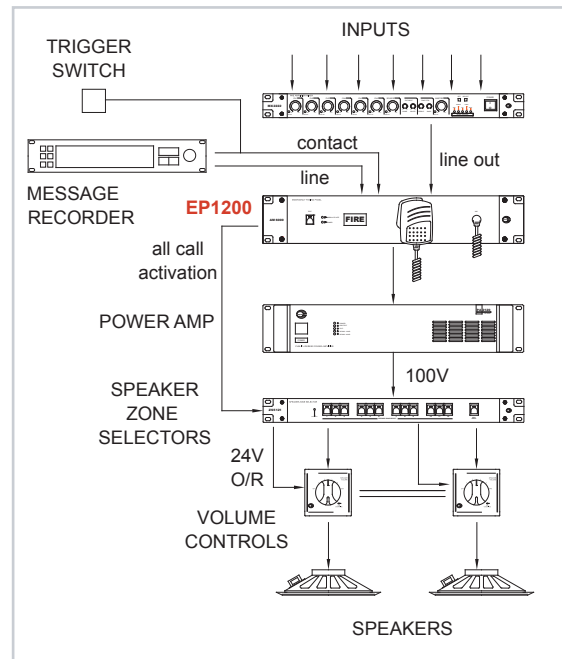


rear view

## FEATURES

- Built in siren tone generator ( constant signal )
- Visual FIRE indicator
- External voice message activation
- Dual mode siren tone activation
- Dry contact when paging mic is activated
- Priority paging via front panel microphone, bypassing all other audio sources
- Output level controls for siren and message / paging microphone

## APPLICATION SCHEMATIC



### packing information

Qty per carton : 1 unit  
 W x H x D : 555 x 165 x 295 mm  
 Weight : 3.7 kg

PAGING MICROPHONES

# PD2400

## 24 Zone Digital Paging Microphone

PD2000 SERIES



PD2400 is suitable for mid size installations of up to 24 zones. It can be located away in a distance of around 500m which utilizes RS485 for data communication whereas the audio by using balanced line signal.

The unit has individual key for zone selection with 4 groups and ALL CALL. 4 tone chime is incorporated and shall be activated prior and after a paging.

It shall be used with Amperes TD6801 or TD6240 decoder unit before connected to the speaker zone selector for zone activation.

### FEATURES

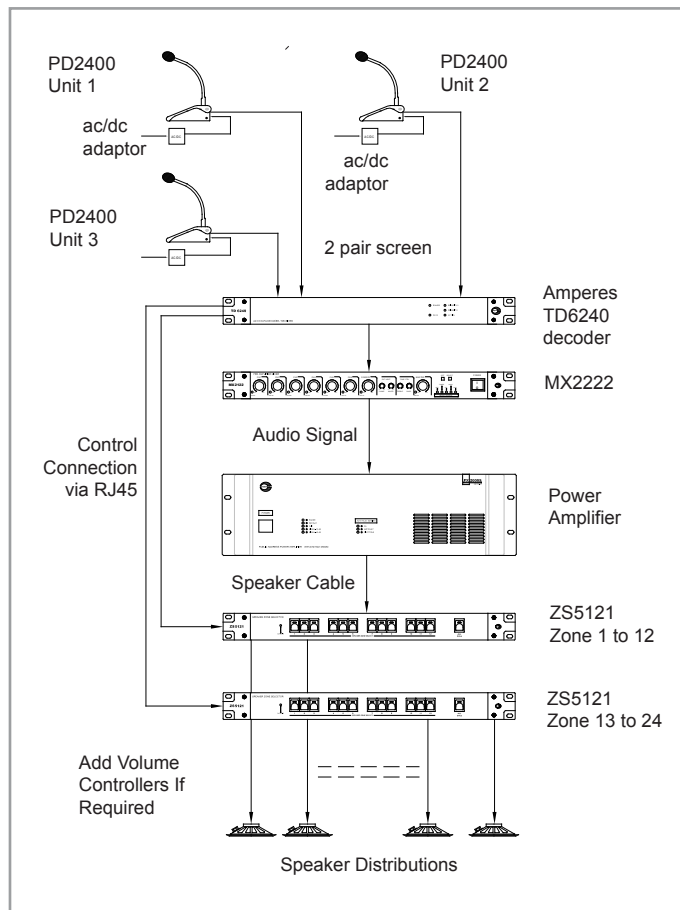
- 24 zone paging control with 4 fixed groups and ALL CALL
- RS485 data transmission for long distance remote paging
- Balanced line output for low noise audio connection
- Multi point paging with priority level setting ; up to 3
- PD2400 can be connected to a single TD6801 or TD6240
- 4 tone pre and post announcement chime
- BGM muting at zone selector when mic is activated ;
- bypassing zone selection at rack level
- Chime and mic volume control
- High sensitivity condenser microphone
- 12V or 24V DC powering, whichever convenient



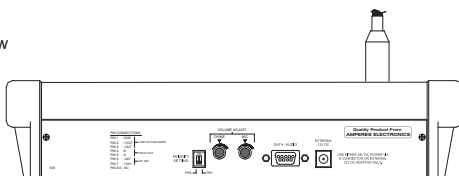
### TECHNICAL SPECIFICATIONS

Power requirement	24V DC via D9 connector / ext 12V DC pwr adaptor
Power consumption	170 mA
Zone selection	24 individual zone key 4 groups ( preset of 6 zones ) ALL CALL
Microphone	Condenser mic ; cardioid
Output impedance	600 Ohm
Output level	1.2 V ( line output )
Output controls	Chime and mic level
Data output	RS485 ; 19.2 KB / s
Data connection	D9 connector
Operating distance ( data )	Up to 1000 m
Audio distance	Typ 500 m ( up to cable size )
Chime	4 tone up and 4 tone down
Indicators	Mic ring, zone
Frequency response	100 ~ 12 KHz
S / N ratio	> 60 dB
Gooseneck mic length	400 mm
Dimensions (WxHxD)	292 x 62 x 186 mm
Weight ( kg )	1.2 kg ( excl. adaptor )

### APPLICATION SCHEMATIC



rear view



### packing information

Qty per carton : 1 unit  
W x H x D : 525 x 85 x 270 mm  
Weight : 2.0 kg

PAGING MICROPHONES

# PD2800

Digital Paging Microphone

PD2000 SERIES



PAGING MICROPHONES



PD2800 shall be suitable for large setup, offering wide range of features with affordable pricing. Up to 108 zones can be stored in the paging desk's memory and total capacity of zoning shall be up to 256 zones. 9 groupings, each with 12 zones can be programmed for paging convenience.

Multi point paging, connected in series using EX2800 would form a large network of paging points. 3 circuits or loops are allowed to be connected to TD6801 or TD6240 zone decoder with priority setting.

## FEATURES

- 108 zone storage capacity with 9 programmable groupings, each shall consist of 12 zones
- Capable to page to 256 zones
- One touch button for ALL CALL activation
- RS485 data transmission for long distance remote paging, decoding via TD6801 or TD6240 and zone selection via Amperes zone selectors
- Flexibility in cabling for large setup ; looping or star
- Multi point paging setup with 3 priority lines
- LCD display for ease of paging and programming
- User selectable chime output tone
- Chime and mic volume control

## TECHNICAL SPECIFICATIONS

Power requirement	24V DC 1A via adaptor to EX2800
Power consumption	0.42 A
Microphone	Condenser microphone ; cardioid
Zoning capacity	256
Zone storing capacity	108
Grouping capacity	9 groups ; each to store 12 zones
Output impedance	600 Ohm balanced
Output level	Line 1.2 V
Output controls	Chime and mic level
Chime	2 or 4 tones ; assignable
Frequency response	100 ~ 12 KHz
S / N ratio	> 60 dB at 1 KHz
Data output	RS485 ; 19.2 KBs
Data connection	RJ45 to EX2800 via Cat 5E / 6 cable
Compatible decoder	TD6801 / TD6240
Operating distance	Up to 1000m ( sub. to cable size )
Memory duration	1 year ( internal battery )
Gooseneck mic length	400 mm
Dimensions (WxHxD)	292 x 62 x 186 mm
Weight ( kg )	1300 gms ( excl. adaptor )



### EX2800 EXT.CONNECTION UNIT

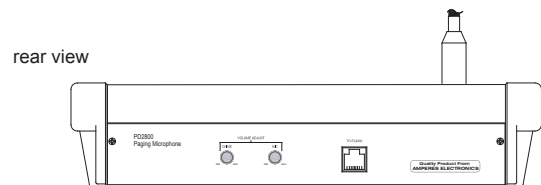
Size : 113 x 80 x 35 mm  
Weight : 140 gms

#### packing information

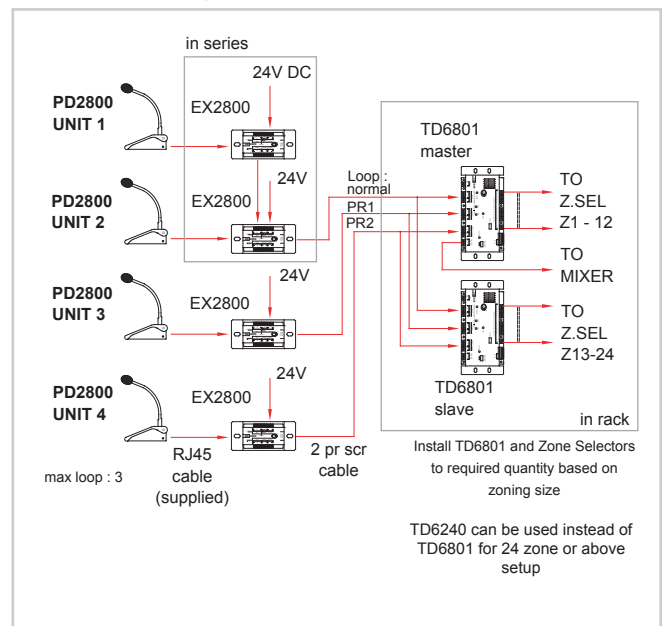
Qty per carton : 1 unit  
W x H x D : 525 x 85 x 270 mm  
Weight : 2.05 kg

#### Standard package :

- 1 x PD2800 paging desk
- 1 x EX2800 ext. connection unit
- 1 x 24 V DC power adaptor
- 1 x 1m Cat 5 cable RJ45 jack



## APPLICATION SCHEMATIC



- PM1000** Desktop Paging Microphone
- PM1060** 6 Ch Desktop Paging Microphone
- PM1120** 12 Ch Desktop Paging Microphone

PM1000 series are available in three variants and had been serving many installations faithfully since its creation. They are available as simple paging mic with chime to those with 6 or 12 zone selections. They are most suitable for simple and small size installations of less than 12 zones in total.

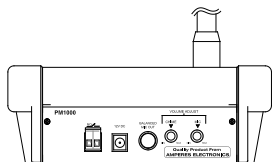
**FEATURES**

- Condenser gooseneck microphone with illuminated ring
- Pre and post announcement 4 tone chime
- Adjustable chime and mic volume with balance mic / line output level
- Output level selection to mic or line signal to suit the input type of the pre-amplifier mixer
- Dry contact available when mic is active ( PM1000 only )
- 6 or 12 zone selection for PM1060 and PM1120

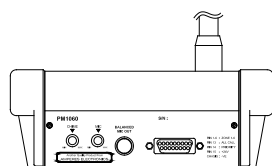
**TECHNICAL SPECIFICATIONS**

Power requirement	PM1000 : 24V DC adaptor PM1060 / 1120 : 24V DC via D9 conn.
Pwr consumption	50 mA / 150 mA / 150 mA
Zone selection	PM1000 - ALL CALL PM1060 / 1120 - 6 and 12 zones w ALL CALL
Microphone	Condenser mic ; cardioid
Output impedance	600 Ohm
Output level	1.2 V ( line output ) / balanced mic ( 775 mV )
Output dry contact	3 A normally open ( PM1000 only )
Output controls	Chime and mic level
Audio connection	1/4 " stereo phone jack
Switching connection	D15 connector ( PM1060 / 1120 only )
Operating distance	300 m ( recommended )
Chime	4 tone up and 4 tone down
Indicators	Mic ring, zone switch, ALL CALL
Frequency response	100 ~ 12 KHz ( +/- 3dB ; 0 dB out )
S / N ratio	> 60 dB
Gooseneck mic length	400 mm
Dimensions (WxHxD)	150 x 62 x 186 mm
Weight ( kg )	780 / 810 / 850 gms

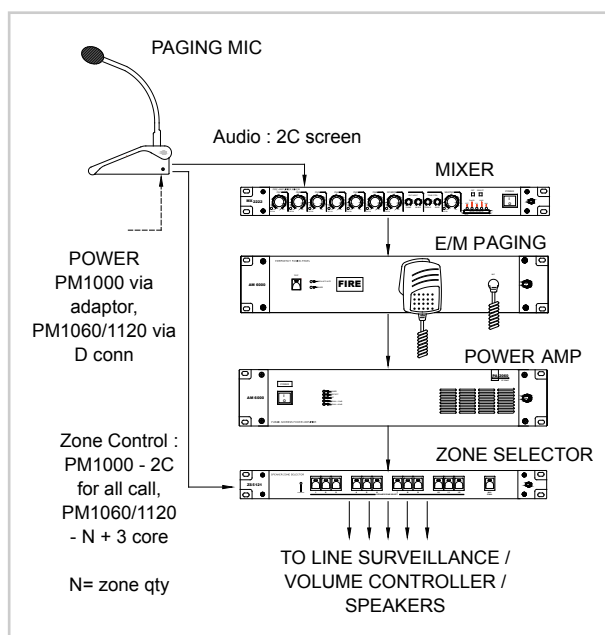
rear view of PM1000



rear view of PM1060 / PM1120



**APPLICATION SCHEMATIC**



**packing information**

Qty per carton : 1 unit  
 W x H x D : 525 x 85 x 270 mm  
 Weight : PM 1000 - 1.8 kg ( incl adaptor )  
           : PM 1060 - 1.15 kg  
           : PM 1120 - 1.2 kg