

# MxP2188

8 x 8 Matrix Paging Controller

MATRIMIX PAGING SYSTEM



## FEATURES

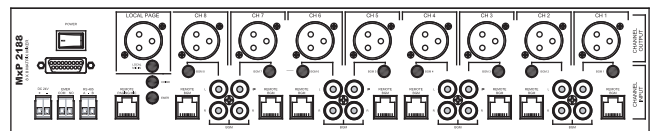
- 8 input and 8 output Matrix controller with inputs of either Mic or BGM or fed from remote source panel
- Individual channel setup for bass, treble and volume
- Built in chime with selectable 2 or 4 tone output
- Built in voice recorder of up to 60 seconds
- Audio output monitor for every zone
- Remote triggering port for message and siren
- Priority override dry contact port whenever ALL CALL is triggered
- Microphone input for paging at rack
- Remote paging desk connectivity to Amperes PD1160

MxP2188 caters for a more delicate requirements of a PA system where every zone shall have flexibility over choice and taste of what should be listened to. It shall be able to cater for small installations of up to 16 zones requiring full matrix setup, such as office, club house, bungalow and entertainment centre.

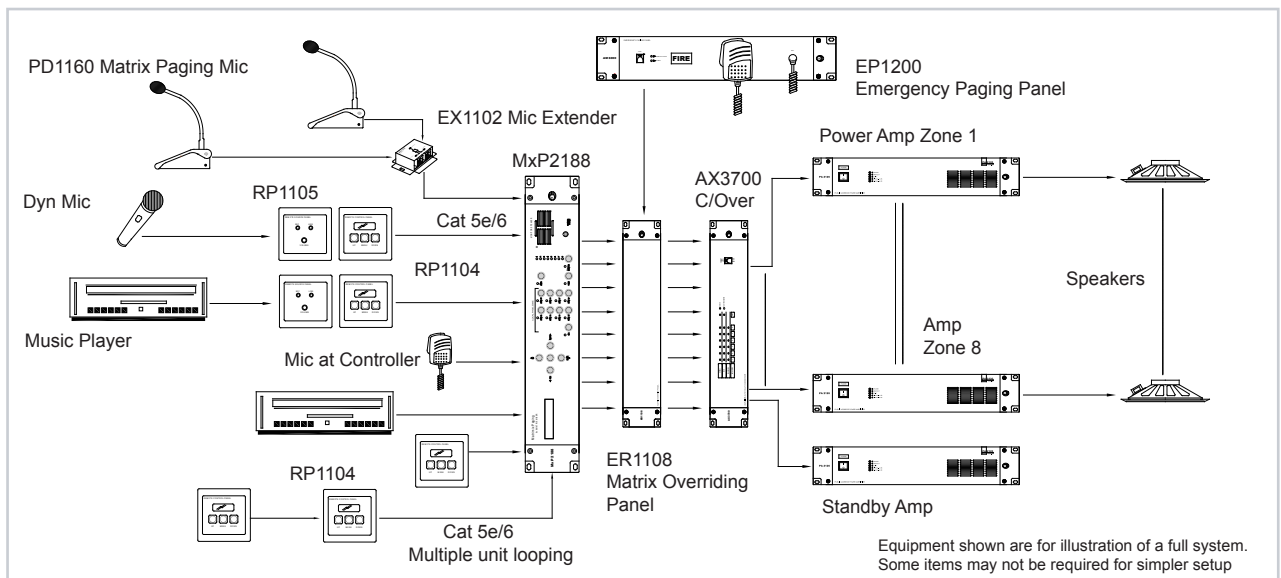
While conventional matrix system only perform signal routing, MxP2188 does more than that. Essential features for a commercial PA system such as emergency overriding, remote mic zone selection, audio monitoring, chime and recording are available as an integral part of the unit.

MIXERS / DISTRIBUTIONS

rear view



## APPLICATION SCHEMATIC



## TECHNICAL SPECIFICATIONS

Configuration	8 x 8 ; Cascade to 8 x 16
Power source	24V DC ; 2A via adaptor
Inputs	8 local BGM - unbal. line or 8 remote BGM via RP1105 1 remote paging mic PD1160 1 local mic input
Input connections	RJ45 (remote ) / RCA jack XLR for local mic input
Input volume control	Manual adj. at each channel
Bass and treble control	+12 dB to -12 dB ; digital select
Phantom power	12V DC ( local mic in only )
Priority input	Local page, E/M message
Chime	2 or 4 tone built in
Message recording	60 secs max in single bank

Output	8 x balanced line output
Zone selection	Remote paging mic ( PD1160 ) ; Front panel with ALL CALL
E/M override contact	3A dry contact
Audio monitor	Source monitor with volume control via 3W speaker
Communication	RS485 ; 19.2 Kbps
Remote triggering	Siren ( ALL CALL ) Message ( ALL CALL / individual )
Dimensions (WxHxD)	482 x 88 x 300 mm
Weight	6.0 kg

packing information	Qty per carton : 1 unit W x H x D : 555 x 165 x 295 mm Weight : 7.2 Kg
---------------------	--

**PD1160** 8 / 16 Zone Remote Paging Microphone



A dedicated remote paging desk with 8 / 16 channel zone selection, connected directly to MxP2188 controller. To achieve multipoint paging setup, use EX1102 mic extender in series connection.

Power source	24V DC via MxP2188
Power consumption	800 mA
Communication	RS485 ; 19.2 kbps
Controls	Zone selection, ALL CALL
Indications	Power, signal, data, zone, busy
Mic	Condenser, cardioid
Output	Balance line output
Dimensions (WxHxD)	150 x 186 x 62 mm ( body only )
Weight	1.2 kg

**RP1104** Remote Zone Control Panel



RP1104 is an improved version of remote zone controller with sensor touch buttons and with LCD display. It shall be installed at remote location at individual zone and connected to the MxP2188 controller via Cat5e / 6 cable. Each controller shall run individually to each input port of the respective zone.

Power source	24V DC via MxP2188
Power consumption	100 mA
Communication	RS485 ; 19.2 kbps
Controls	Volume, BGM source
Indications	Power, source, volume, busy
Cabling	Cat 5E / 6
Distance	Up to 1000m
Dimensions (WxH)	86 x 86 mm
Weight	100 g

**RP1105** Remote Source Input Panel



RP1105 is also an upgraded version of remote source input panel which is to be used together with RP1104, installed side by side.

It allows mic or line level input source with adjustable volume and shall be bypassed if emergency paging is activated at the controller.

Power source	24V DC via MxP2188
Power consumption	100 mA
Communication	RS485 ; 19.2 kbps
Controls	Volume
Inputs	Mic or Line (unbal.), mini jack
Cabling	Cat 5E / 6
Distance	Up to 500m
Dimensions (WxH)	86 x 86 mm
Weight	100 g

**EX1102** Paging Mic Extender



When multipoint paging is required, EX1102 shall be used, with each PD1160 connected in series in a single circuit. The mic nearest to the Matrix controller shall have priority over its precedence.

**MS1103** Paging Mic Splitter



EX1102 shall split incoming paging microphone circuit into two, with one output connected to the Master controller while the other to the Slave controller.

It is applicable whenever two controllers are cascaded to form 16 channel matrix setup.

Matrix Overriding **ER1108**



ER1108 is an 8 in / 8 out relay panel which would override all individual audio signal from Matrix controller and re-route the outputs to a single emergency source such as EP1200 emergency paging panel.

It is an optional item, and shall be installed after the Matrix controller with outputs to individual amplifier of each zone. EP1200 shall be used with emergency trigger and audio output connected to this unit